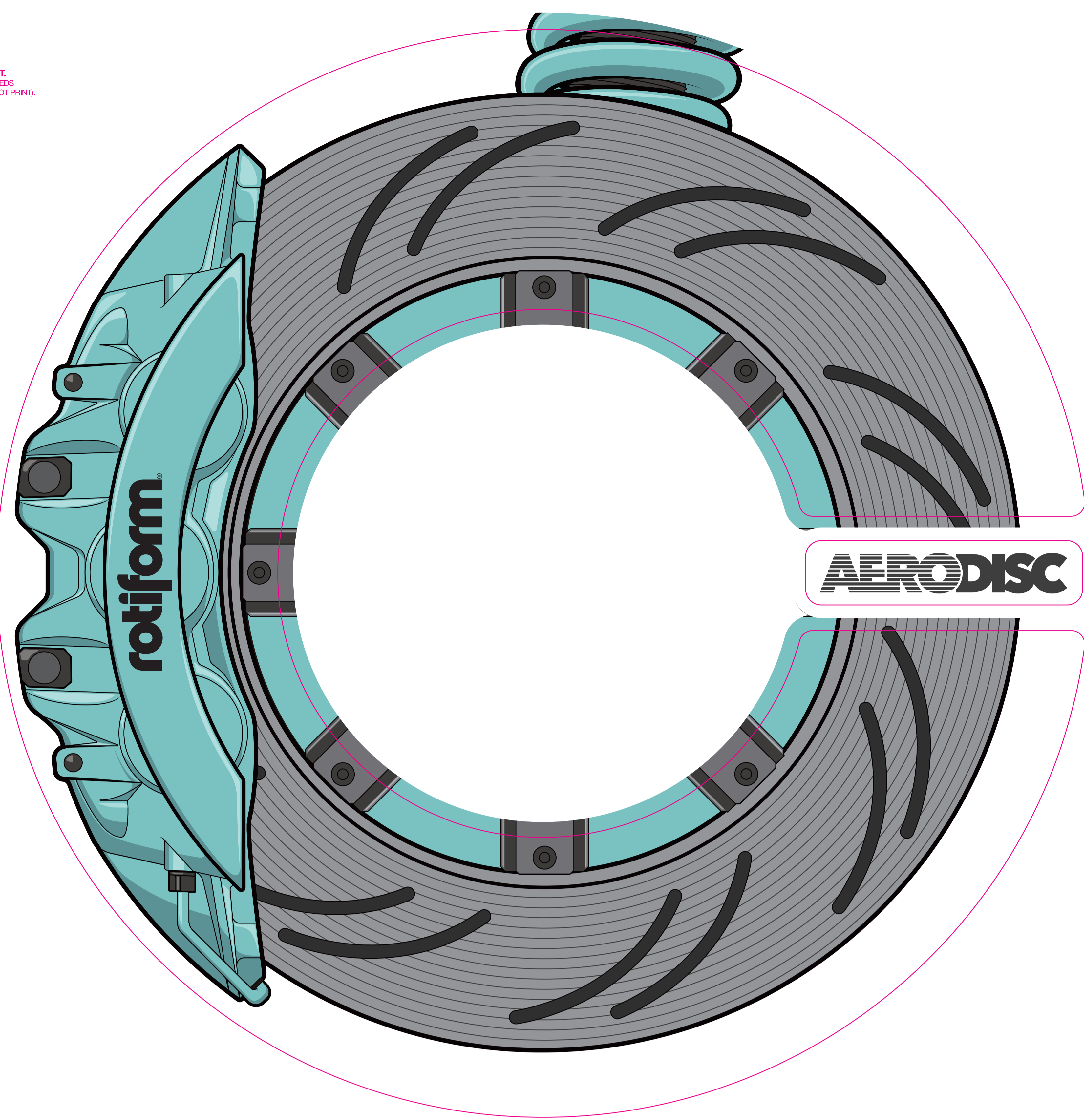


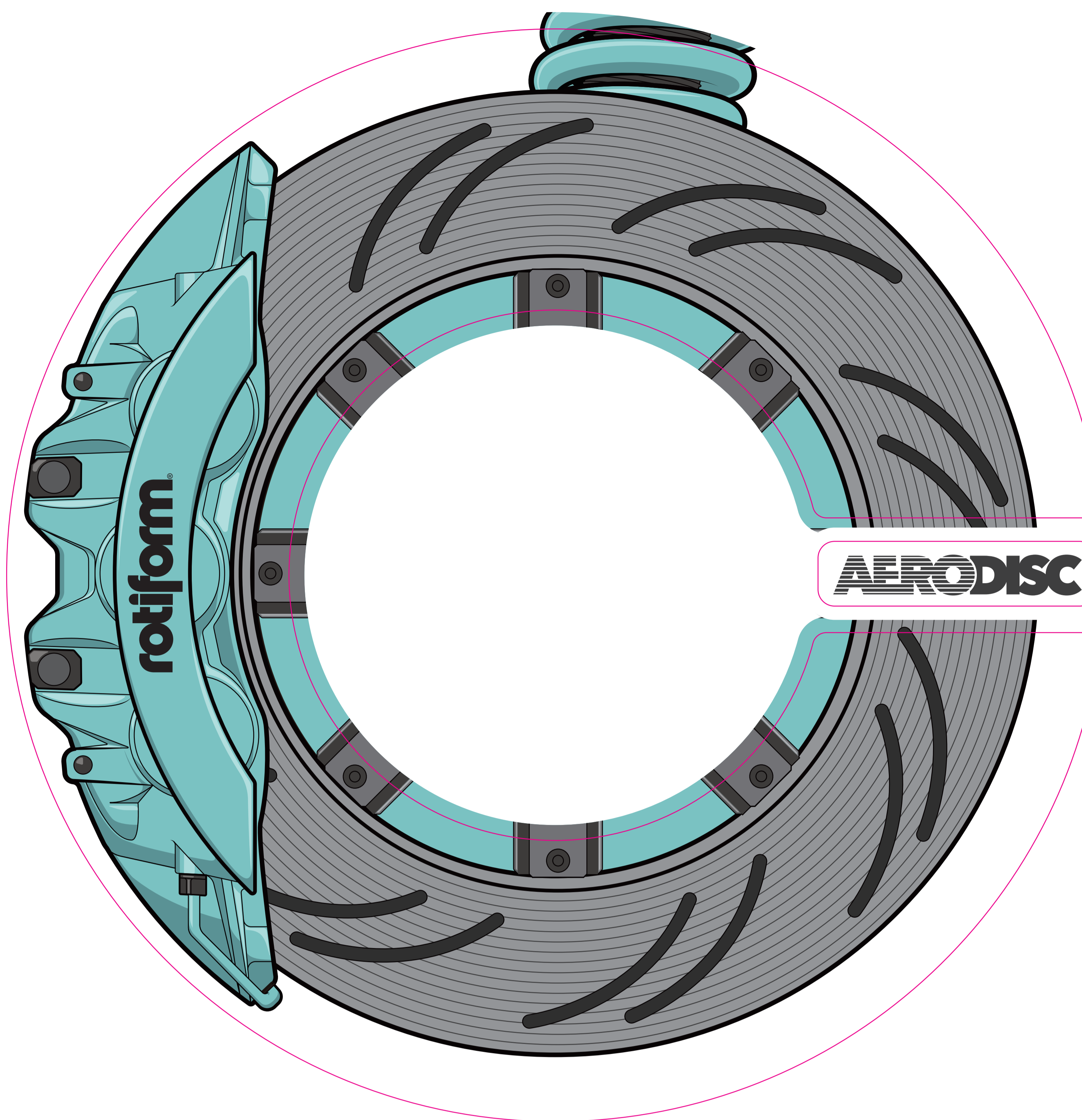
X-RAY (LEFT)

19"

BLEEDS INCLUDED TO ENSURE PERFECT CUT. IN MOST CASES, ANOTHER BLEED TO CUT LINE (CUT LINE DOES NOT PRINT).



18"

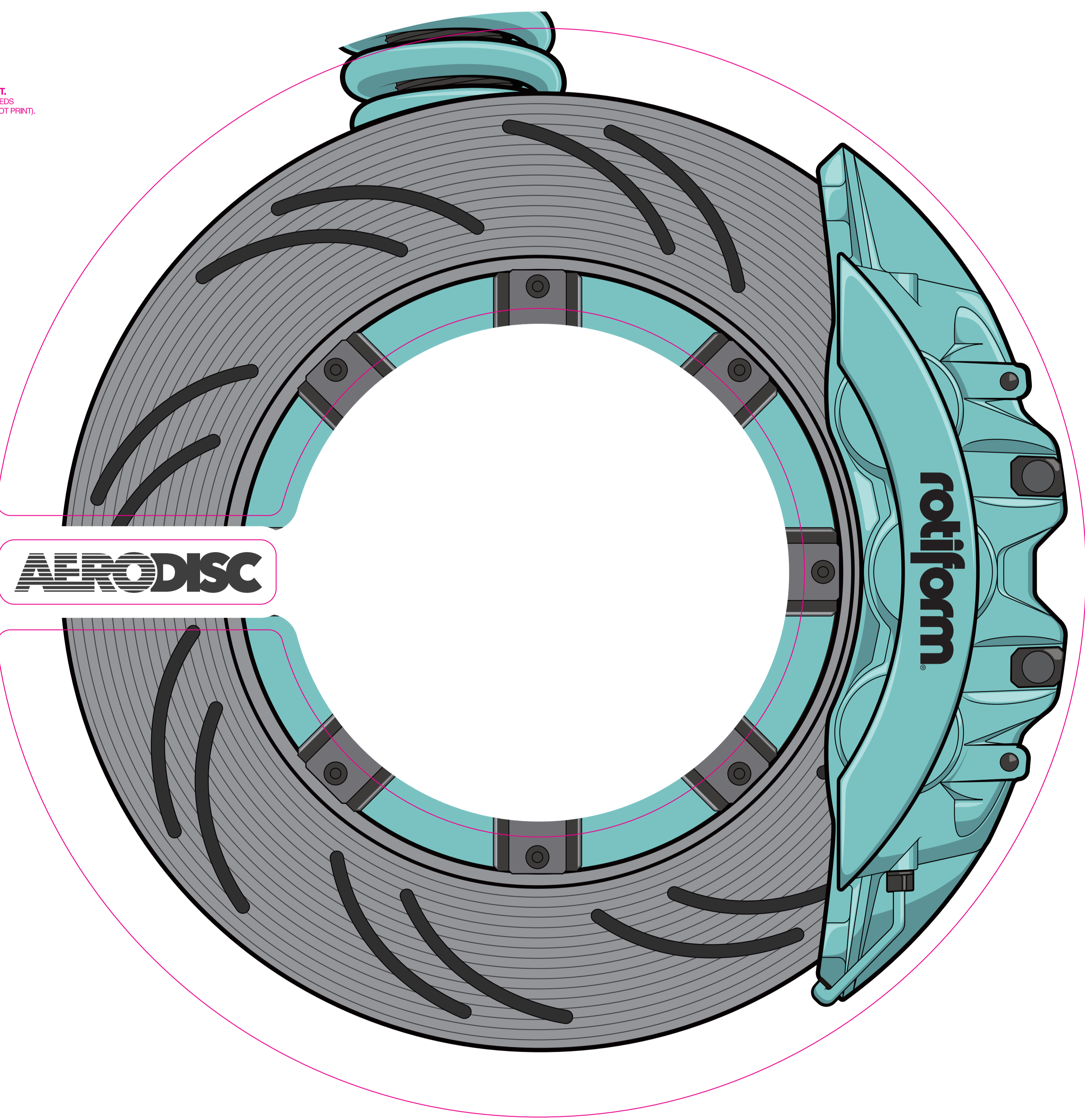


SEPARATE AERODISC LOGO WITH CUT LINE. APPLY AFTER RING. WHITE AERODISC: PRINT BLACK ON WHITE. BLACK AERODISC: PRINT BLACK ON WHITE.

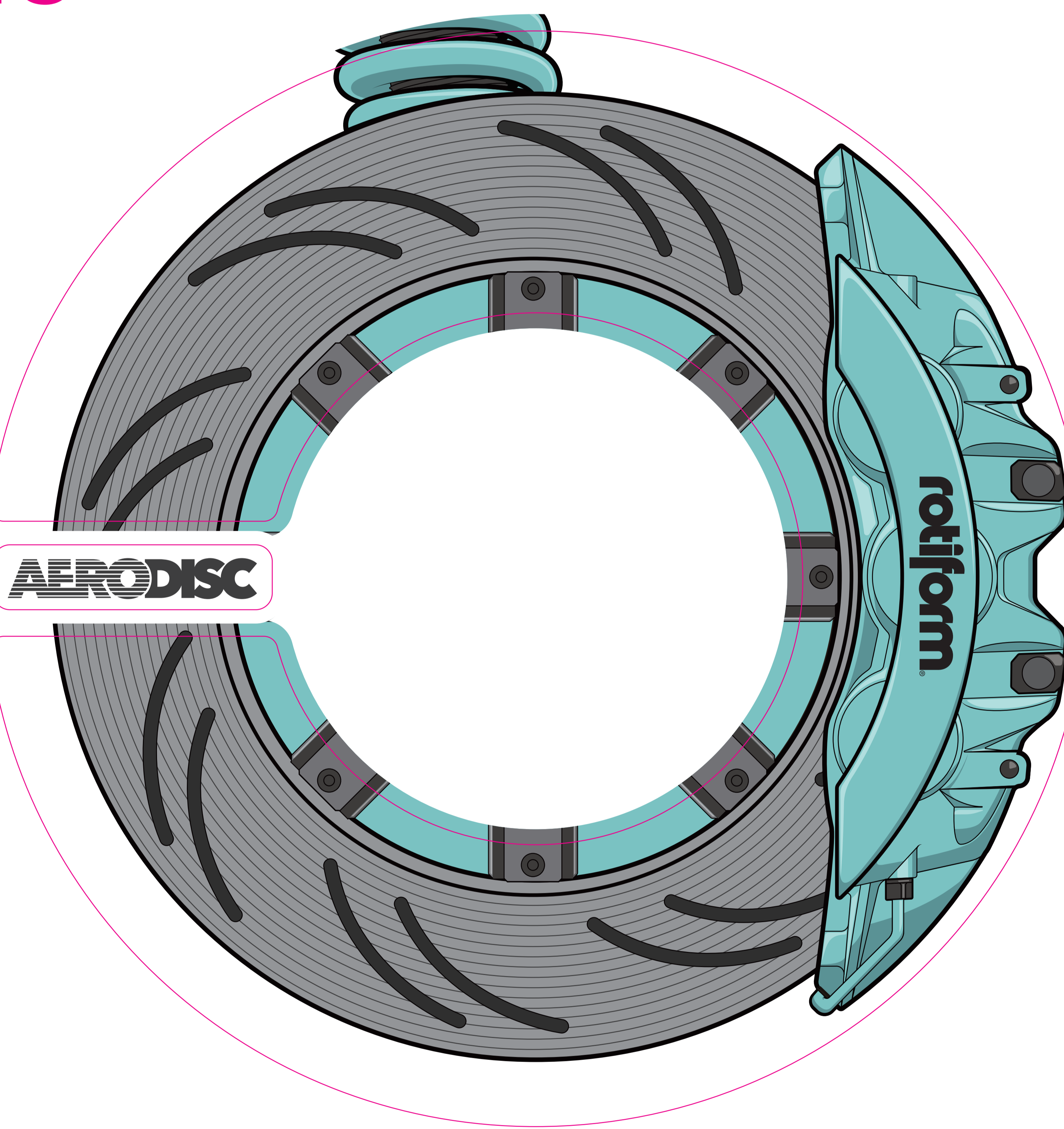
X-RAY (RIGHT)

19"

BLEEDS INCLUDED TO ENSURE PERFECT CUT. IN MOST CASES, ANOTHER BLEED TO CUT LINE (CUT LINE DOES NOT PRINT).



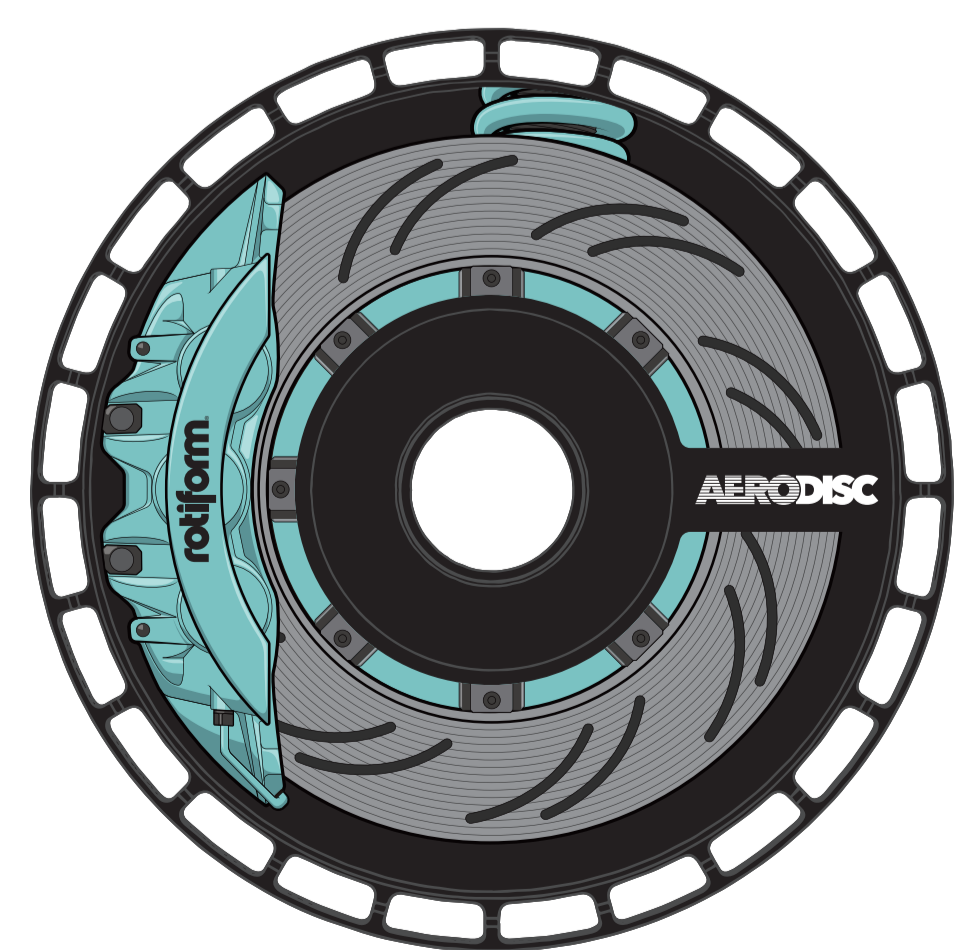
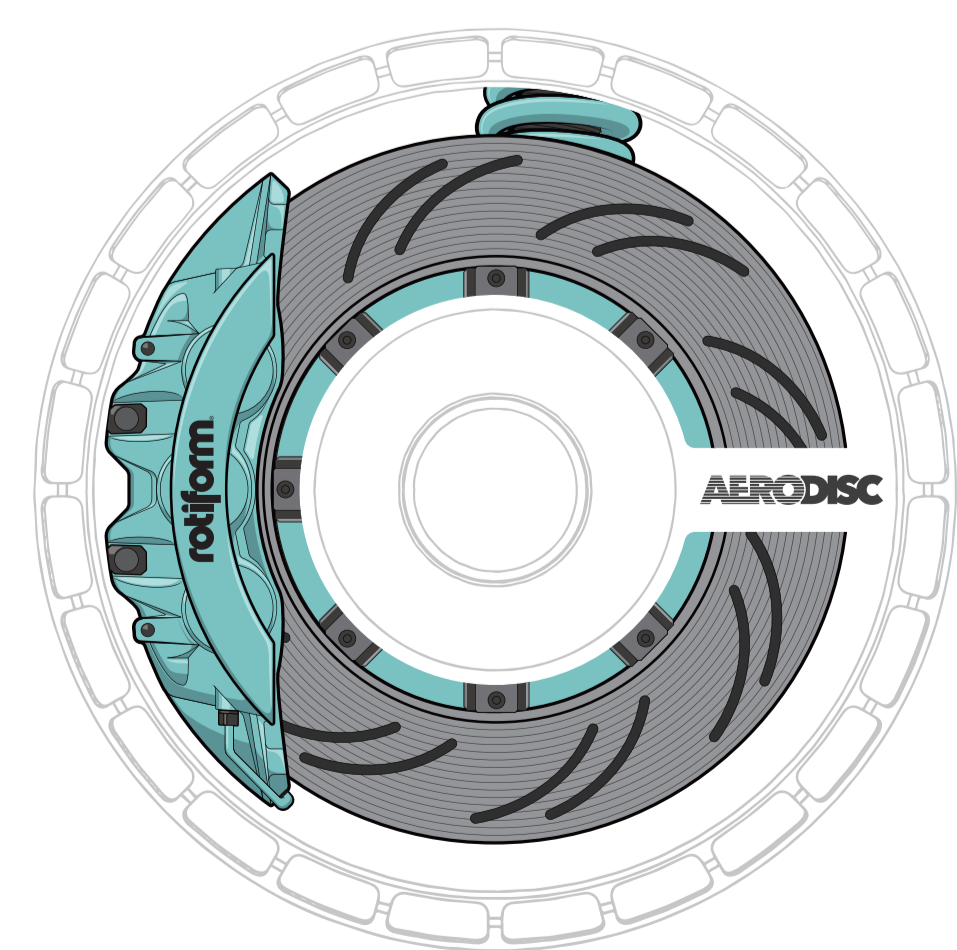
18"



ADDITIONAL SUGGESTED COLORS (APPLY TO ACTUAL SIZE ART ABOVE) AND PREFERRED REGISTRATION TO AERODISC VENT HOLES

WHITE AERODISC

BLACK AERODISC



ROTIFORM RECOMMENDS HAVING YOUR GRAPHICS PRINTED, CUT AND INSTALLED AT A PROFESSIONAL VINYL SHOP. MOST DESIGNS ARE VECTOR BASED SO COLOR CAN BE CHANGED EASILY. APPLICATIONS WORK BEST PRINTED ON CAR WRAP VINYL BECAUSE OF THE CONTOUR OF THE AERODISC. ADD YOUR OWN COLORS, OR DESIGN YOUR OWN. JUST KEEP IT COOL.

\* Rotiform is not responsible for the graphic printing, cut or installation on your AeroDisc.